



APPLICATION:

The SC-BN-XX-SD is used as an auxiliary diffuser with the SC-BN-XX BACnet diffuser when more than one diffuser is required in a single zone.

AVAILABLE SIZES:

Face Size: 24" X 24" (23.75" x 23.75")

Neck Size: 6", 8" for 12" x 12" face size
6", 8", 10", 12", 14" for 24" x 24" face size

CONSTRUCTION:

Face Plate: Removable 18 gauge steel with baked white enamel finish
Back Cone: Unitary stamped 18 gauge steel

DIFFUSER ACTUATOR:

24 VAC, 2VA, 0-10VDC actuator

OPERATION:

Diffuser: Integral modulating disk that continually regulates supply air volume in response to thermostat control

Air Volume Range: 118 to 710 cfm

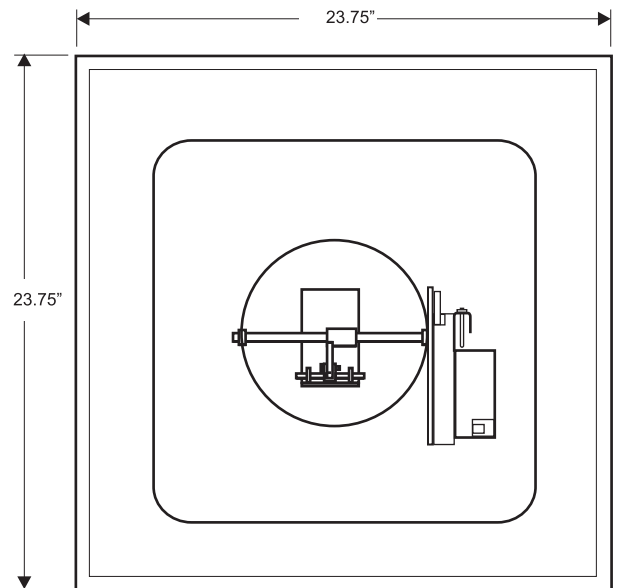
Static Pressure: Not to exceed .25" W.C.

COMPONENTS:

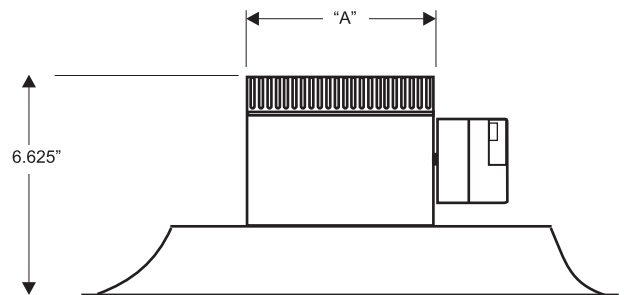
Diffuser and actuator

WARRANTY:

Diffuser: 5 Years



TOP VIEW



SIDE VIEW

