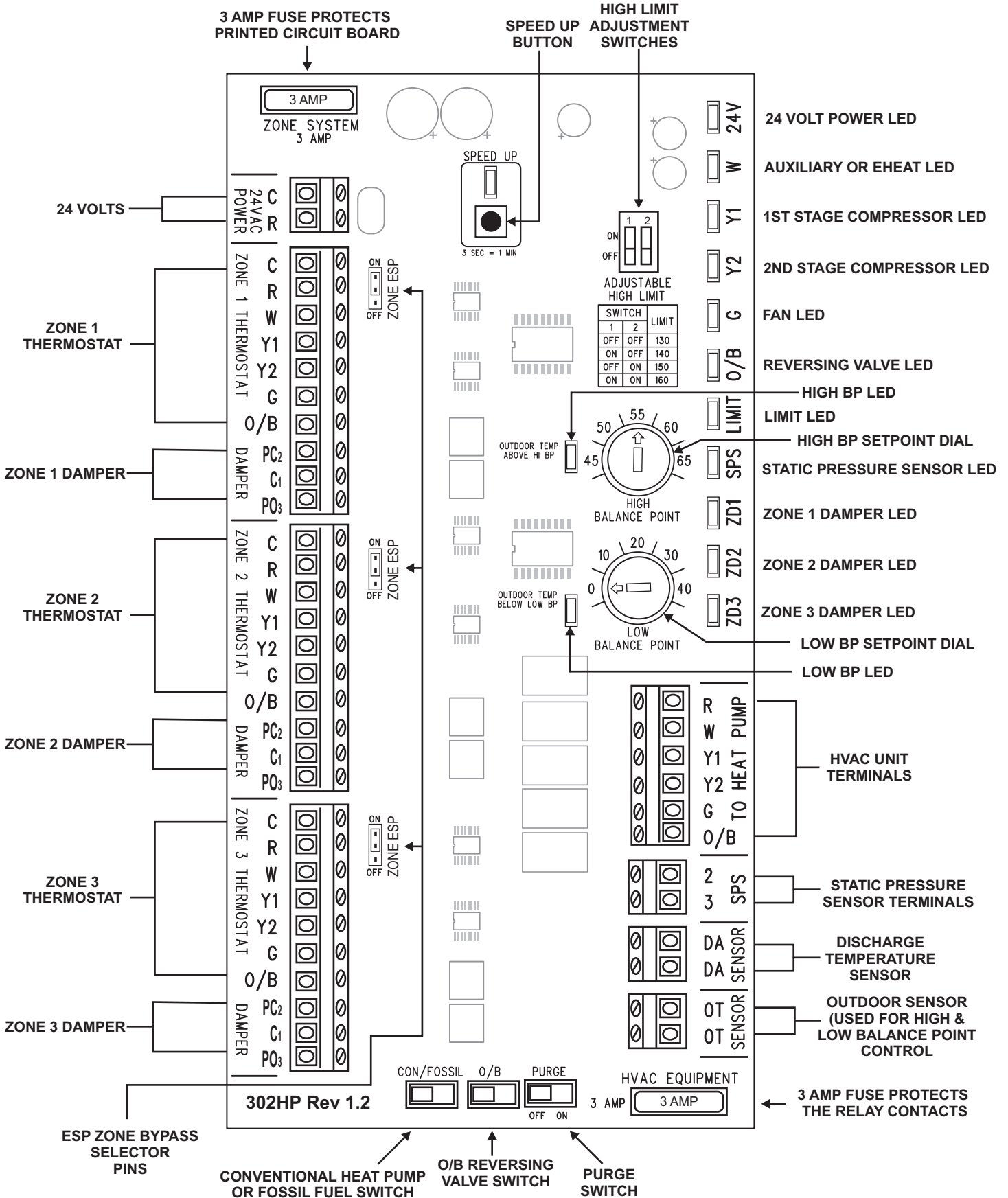
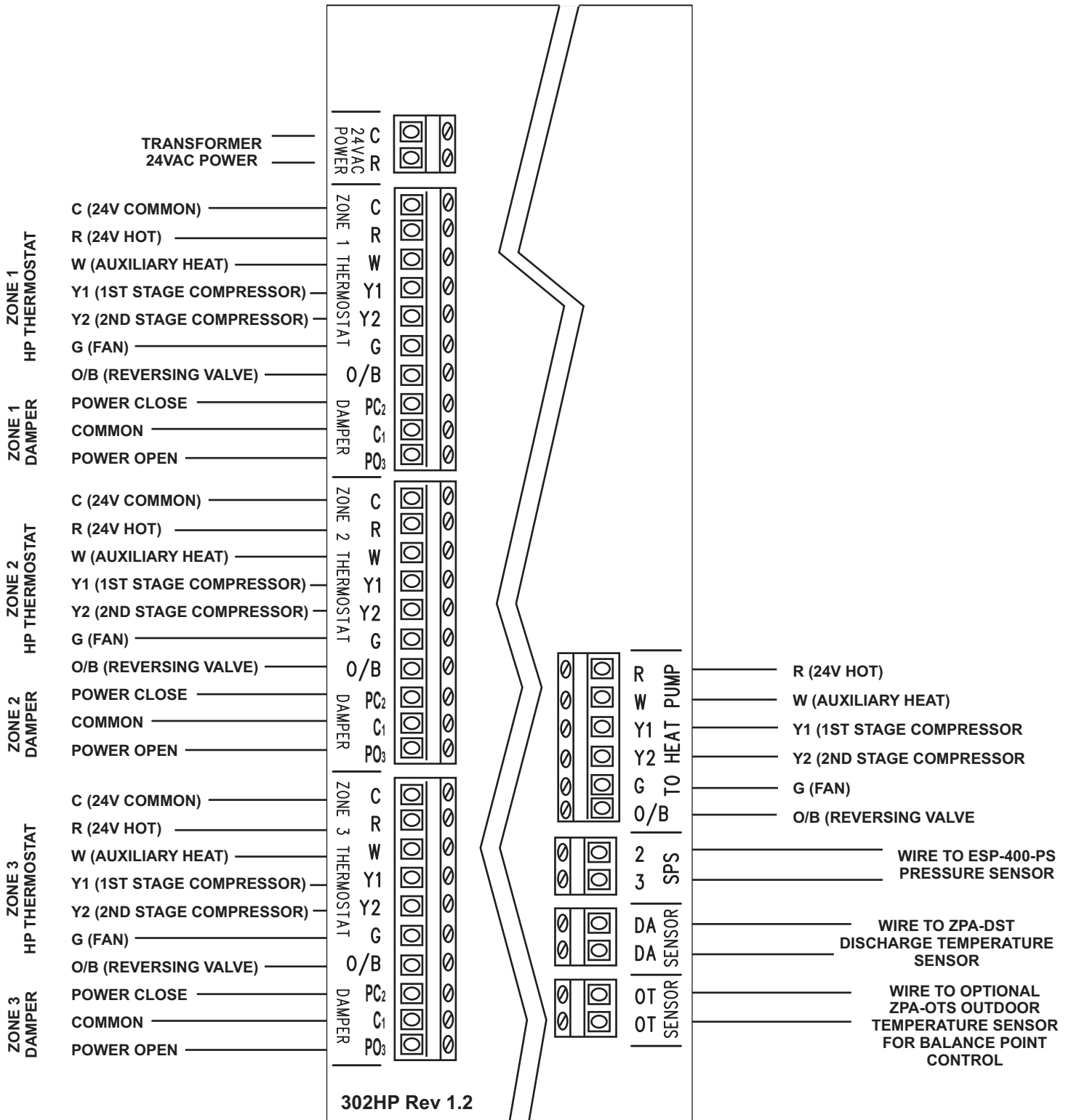


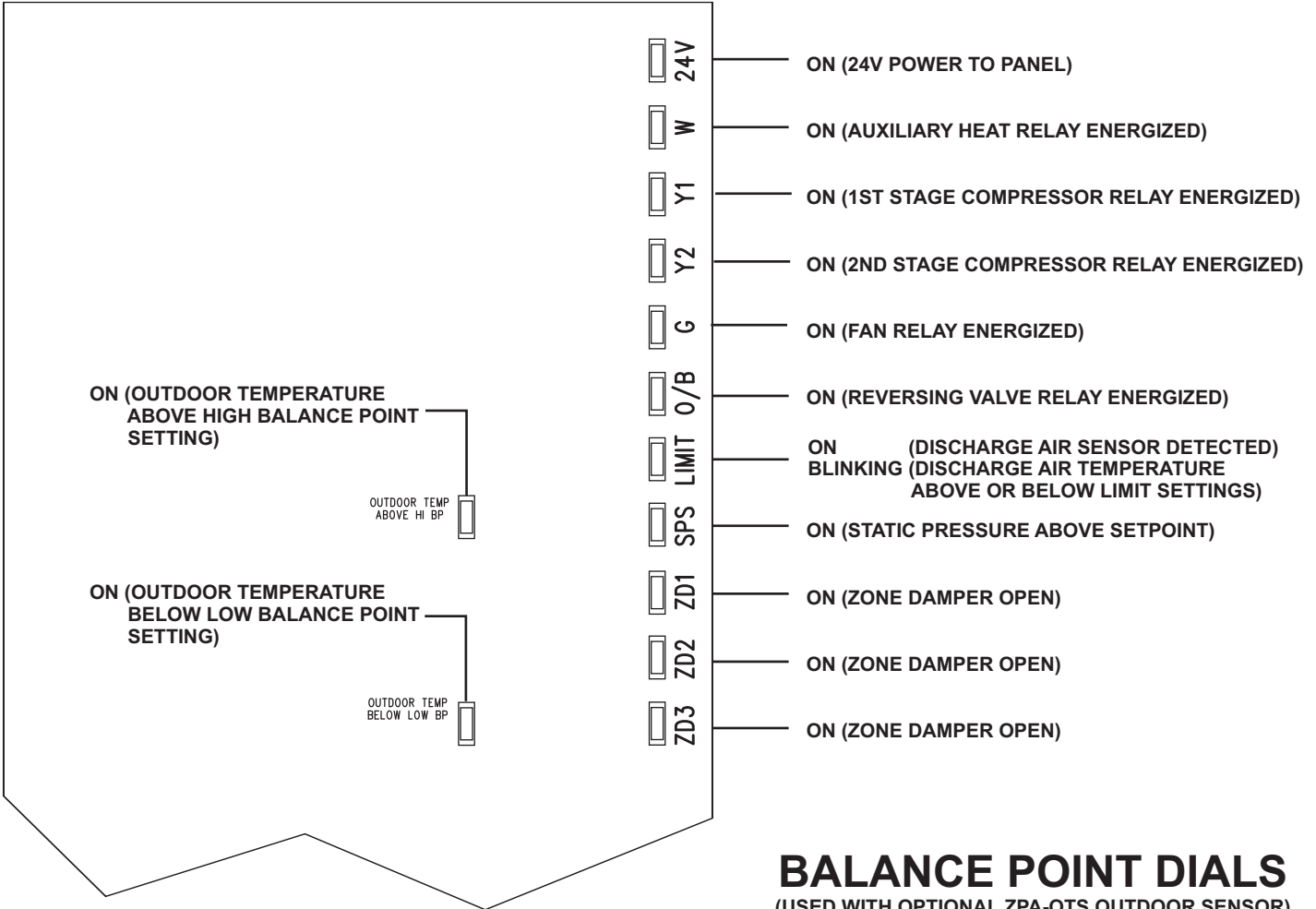
SC-Z3-HPS-ESP Panel Layout



SC-Z3-HPS-ESP TERMINAL DESIGNATIONS

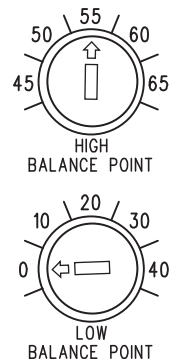


SC-Z3-HPS-ESP LED STATUS DEFINITIONS

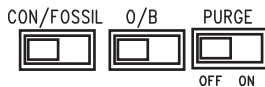


BALANCE POINT DIALS (USED WITH OPTIONAL ZPA-OTS OUTDOOR SENSOR)

When a ZPA-OTS outdoor sensor is wired to the OT terminals on the panel, both High and Low balance points settings can be adjusted using the calibrated balance point dials. High BP is adjustable from 45° F to 65° F. Low BP is adjustable from 0° F to 40° F. High and Low balance point control can be used for both conventional heat pumps and fossil fuel systems. If the outdoor temperature goes above the High BP setting, the system will not stage auxiliary heat. If the outdoor temperature falls below the Low BP setting, only the auxiliary heat source will be used. High BP can be overridden by placing any zone thermostat in the emergency heat mode.



SELECTOR SWITCHES

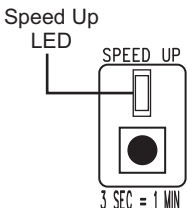


CON/FOSSIL
OFF = CONVENTIONAL HEAT PUMP
ON = FOSSIL FUEL SYSTEM

O/B
OFF = 'O' REVERSING VALVE (ENERGIZES IN COOLING)
ON = 'B' REVERSING VALVE (ENERGIZES IN HEATING)

PURGE
OFF = NO FAN PURGE
ON = 1 MINUTE FAN PURGE AFTER CALL DROPS OUT

SPEED UP BUTTON



The Speed Up button can be used to put the internal panel time delays in speed up mode. When the button is pushed, the Speed Up LED will blink. Pushing the button again will reset the time delays and the LED will turn off or will automatically reset in 10 minutes.



ESP ZONE BYPASS SELECTOR PINS

Each zone has an ESP Zone Bypass selector pin. The panel comes from the factory with all zones set to ON. By placing a zones selector pin in the OFF position, this will prevent air from bleeding into the zone when it is not calling even if the static pressure goes above the setpoint. This is sometimes useful for basement zones or zones with small CFM requirements providing other non-calling zones have the CFM capacity to allow enough air to bleed without causing air noise without over heating and cooling.

INSTALLING AND WIRING THE SC-Z3-HPS-ESP

MOUNTING THE ENCLOSURE:

Carefully remove the panel from the shipping carton. Remove the cover and any packing material. Locate the panel on a flat, non-condensating, vertical surface near the indoor unit that will facilitate ease of wiring and service access. Use appropriate anchors and screws to secure the panel to the surface.

NOTE:

The panel utilizes home run wiring. Tag each zone thermostat cable and its associated zone damper cable to minimize wiring errors.

WIRING ZONE THERMOSTATS:

Use conventional 18-8 thermostat wire. After removing the outer jacket, strip approximately 1/8" insulation off of each wire. Land each wire to its designated screw terminal.

Note: Zone thermostats should be configured for heat pumps with electric backup regardless of if heat pump system is conventional or fossil fuel.

WIRING ZONE DAMPERS:

Use conventional 18-3 thermostat wire. After removing the outer jacket, strip approximately 1/8" insulation off of each wire. Land each wire to its designated screw terminal.

WIRING TO THE HVAC EQUIPMENT:

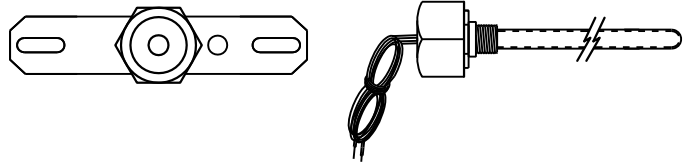
Use conventional 18-6 thermostat wire. After removing the outer jacket, strip approximately 1/8" insulation off of each wire. Land each wire into its designated screw terminal on the HVAC UNIT terminals.

Note: Do not wire the equipment common to the HVAC UNIT terminals on the panel.

INSTALLING AND WIRING THE ZPA-DTS DISCHARGE TEMPERATURE SENSOR:

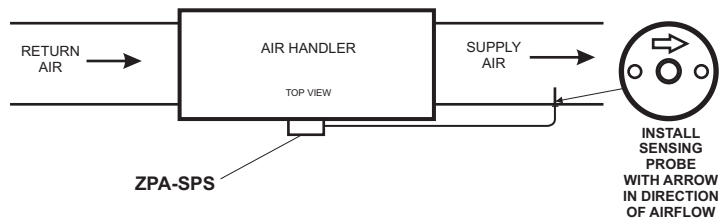
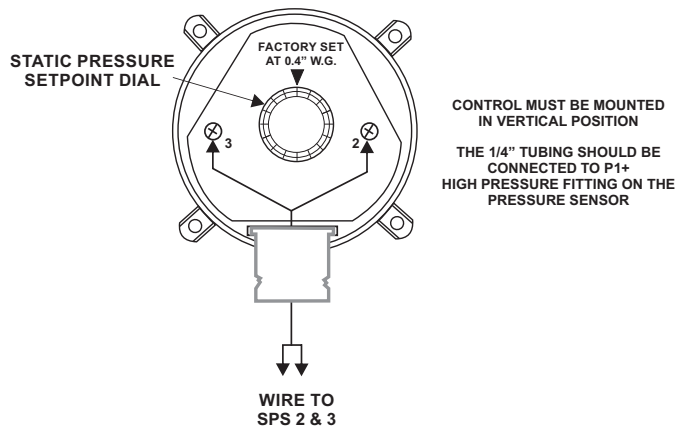
Drill a 15/32" hole in the middle of the main discharge air plenum approximately 18" to 30" from the heat pump electric strip heater or the furnace heat exchanger in a fossil fuel application. Slide the discharge air probe into the hole and use two self-tapping sheet metal screws to secure the base to the plenum. Use conventional 18-2 thermostat wire and wire nuts to attach the sensor leads. Replace the cover with

the wire nut connections inside. Strip 1/8" insulation off of each wire at the other end and land the wires to the screw terminals marked DA on the panel.



INSTALLING AND WIRING THE ZPA-SPS STATIC PRESSURE SENSOR:

The ZPA-SPS pressure sensor should be installed on a flat, surface so that the diaphragm is in the vertical position. Use the 1/4" x 36" tubing provided and connect one end to the (P1+) high pressure fitting on the sensor. The other end of the tubing should be connected to the plastic sensing probe mounted in the main discharge air plenum prior to any zone dampers or duct transitions. The sensing probe is 3-1/8" x 1/4" O.D. Install and mount the probe with the arrow in the direction of airflow. The ZPA-SPS is factory set for 0.4" W.C. but is fully adjustable from 0.08" to 1.20" W.C. The terminals are not polarity sensitive. Use 18-2 thermostat wire. After removing the outer jacket, strip approximately 1/8" insulation off of each wire. Land the wires to the 2 and 3 terminal on the pressure sensor. Repeat the process on the other end and land the wires to the screw terminals on the panel marked SPS 2 and 3.



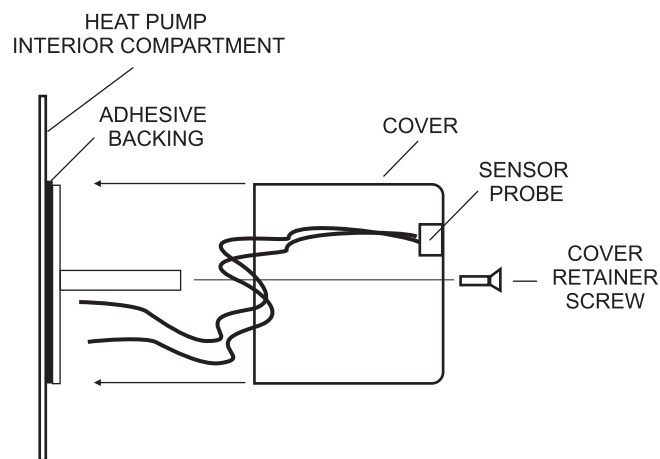
INSTALLING AND WIRING THE SC-Z3-HPS-ESP

WIRING THE TRANSFORMER:

Wire the separate 24 Volt transformer to the 24VAC POWER 'R' and 'C' terminals. Use conventional 18-2 thermostat wire. After removing the outer jacket, strip approximately 1/8" insulation off of each wire. Land each lead to the 24VAC POWER screw terminals marked C and R.

WIRING THE ZPA-OTS OUTDOOR SENSOR FOR HIGH AND LOW BALANCE POINT CONTROL:

The balance point feature can be used for both conventional or fossil fuel applications allowing up to 2 stages of cooling and 3 stages of heating. For fossil fuel systems having a 2 stage furnace, 'W1' and 'W2' are jumpered at the furnace. This method utilizes the internal furnace upstage timer to bring on second stage fossil fuel. The ZPA-OTS Outdoor Sensor can be used for both high and low balance point control by adjusting the onboard balance point dials on the panel. High BP is adjustable from 45° F to 65° F. Low BP is adjustable from 0° F to 40° F. If the outdoor temperature goes above the High BP setting, the system will not stage auxiliary heat. If the outdoor temperature falls below the Low BP setting, only the auxiliary heat source will be used. High BP can be overridden by placing any zone thermostat in the emergency heat mode.



Mount the sensor inside the heat pump cabinet to avoid direct sunlight, freezing rain or snow. The sensor requires separate 18-2 thermostat wire. Connect the sensor leads using wire nuts. Land the other end to the SENSOR screw terminals marked OT on the panel.

TEST, CHECK AND STARTUP:

1. Verify that all component wires have been connected to the proper terminals and are secure.
2. Make sure that the selector switches on the panel are in their proper position for the specific application.
3. Apply 24 Volt power to the panel.
4. Place all zone thermostats in the OFF mode with Auto fan.
5. With no calls taking place, the following panel LEDs should be lit:

24V
LIMIT
ZD1
ZD2
ZD3

6. Visually confirm that all zone dampers are in the open position.
7. Place zone 1 thermostat in the continuous fan ON mode and the system blower should come on. The following panel LEDs should be lit:

24V
G
LIMIT
ZD1

Note: If system static pressure goes above setpoint, the SPS LED will light along with the non-calling zone LEDs until non-calling zone dampers modulate to relieve the static pressure then both LEDs will turn off.

8. Put zone 1 thermostat in Auto fan and repeat the same steps for zone 2 and zone 3. The only change in LED status will be ZD2 LED will light for zone 2 and ZD3 LED will light for zone 3.

9. Once the ventilation test is completed, and the zone thermostat fan modes are set to Auto, place zone 1 thermostat in the cooling mode and adjust the setpoint above the space temperature until it calls for cooling. Keep in mind that the zone thermostat may have a time delay and that the panel has a 3 minute short cycle time delay before allowing the equipment to come on. Once the cooling cycle is energized, the following panel LEDs should be lit:

24V
Y1
G
O/B (If reversing valve = O cooling)
LIMIT
ZD1

TEST, CHECK AND STARTUP:

10. Repeat the same step for zone 2 and zone 3. LED status should be the same with the exception that ZD2 light for the zone 2 thermostat cooling test and ZD3 LED will light for the zone 3 thermostat test.

11. The same test can be done for a heating call from each zone.

12. Once testing is confirmed, place zone thermostats in their proper mode of operation.

SC-Z3-HPS-ESP SPECIFICATIONS:

Enclosure:

ABS plastic

Panel Dimensions:

Height: 9.5"

Width: 6.75"

Depth 2.25"

PC Board Mounting:

Individual Snap Track mounted to enclosure base

Operating Temperature Rating:

-40° F to 150° F

Operating Humidity:

5% to 90% RH non-condensing

Wiring:

18-gauge wire for all equipment and component connections.

Time Delays:

3 minutes off between heating and cooling calls.

3 minutes off on high or low limit

20 minute time share

Purge ON = 1 minute

Thermostats:

Single or multi-stage heat pump

Programmable or non-programmable

Auto or manual changeover

Sensors:

ZP3-DAS Discharge Air Sensor

NTC Type 3, 10KΩ @ 77° F, +/- 3% @ 77° F

ZP3-OT Outdoor Sensor

NTC Type 3, 10KΩ @ 77° F, +/- 3% @ 77° F

FIELD WIRING TERMINALS:

Zone Thermostats:

C	24Vac (Common)
R	24Vac (Hot)
W	Auxiliary or Emergency Heat
Y1	First Stage Compressor
Y2	Second Stage Compressor
G	Fan
O/B	Reversing Valve

HVAC Equipment:

R	24Vac Equipment Hot
W	Auxiliary or Emergency Heat
Y1	First Stage Compressor
Y2	Second Stage Compressor
G	Fan
O/B	Reversing Valve

High / Low Limit Sensor:

DA	Land to ZPA-DTS
DA	Land to ZPA-DTS

Outdoor Temperature Sensor:

OT	Land to ZPA-OTS
OT	Land to ZPA-OTS

Panel Power:

C	24Vac (Common)
R	24Vac (Hot)

Damper Outputs:

PC2	Power Close
C1	Common
PO3	Power Open

Pressure Sensor:

2	Land to ZPA-SPS
3	Land to ZPA-SPS



5351 East Thompson Road, Suite 128
Indianapolis, IN 46237
888.359.0365
www.specifiedcontrols.com
SC-06-1395-031224

SPECIAL ADDENDUM

USING ESP ZONING PANELS WITH GAS FURNACES HAVING DIRECT SPARK IGNITION (DSI)

DSI functions by creating a rapid series of high-voltage electric sparks, which means DSI controls generate electromagnetic interference (EMI) during their trial for ignition. This electronic noise can sometimes interfere with ESP zoning panels as well as other nearby electronic components and even with the ignition control itself. When using an ESP zoning panel with a gas furnace having DSI, we recommend that the panel be mounted at least ten feet away from the furnace to reduce any effects of EMI that can cause sporadic cycling of the relay outputs.



5351 East Thompson Road, Suite 128
Indianapolis, IN 46237
888.359.0365
www.specifiedcontrols.com

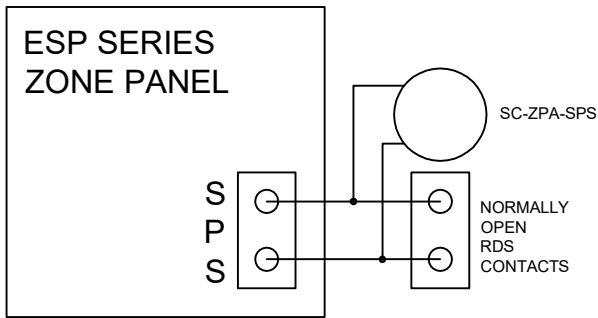
SPECIAL ADDENDUM

Using SC ESP Zoning with A2L Refrigerant Systems

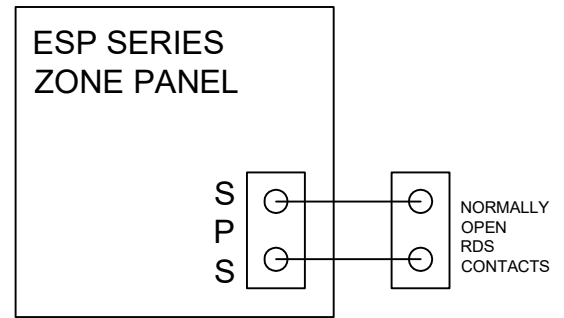
New HVAC equipment using A2L refrigerants (R-32, R-454B, etc.) may incorporate a Refrigerant Leak Detection System (RDS) as an added safety measure. **Specified Controls ESP series zone panels** can accept a signal from the RDS in order to drive open all dampers when a leak is detected.

To connect the panel to the RDS, wire the output of the RDS to the SPS terminals on the zone panel. This can be done concurrently with the SC-ZPA-SPS pressure sensor, letting you still use ESP pressure control with an RDS. If the SPS LED on the panel is constantly lit for over one minute, the RDS has likely detected a leak and the dampers should be opened. See wiring diagrams below:

RDS interface with ESP pressure control

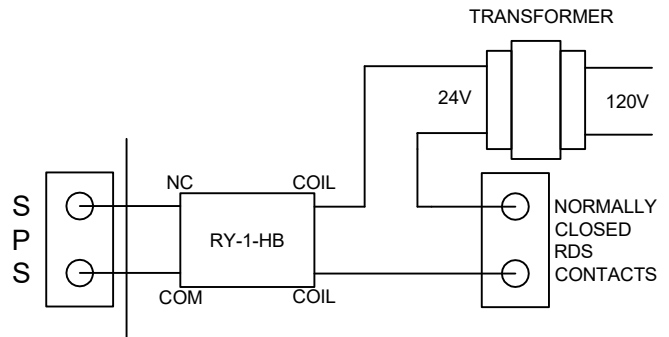
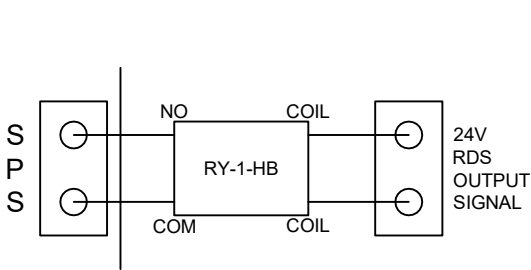


RDS interface only (using bypass for pressure control)



NOTE: All zones must be set to ESP ON via jumper or LCD display

ESP series zone panels require a normally open contact closure input to open dampers. For an RDS that outputs a different signal, reference the wiring diagrams below:



5351 East Thompson Road
Suite 128
Indianapolis, IN 46237
888.359.0365
www.specifiedcontrols.com

SC-06-1411-090624